

FAIRLEADS – MOORING PIPE

MOORING PIPE – JIS F- 2007 TYPE A – ELLIPTIC (BULWARK MOUNTED)

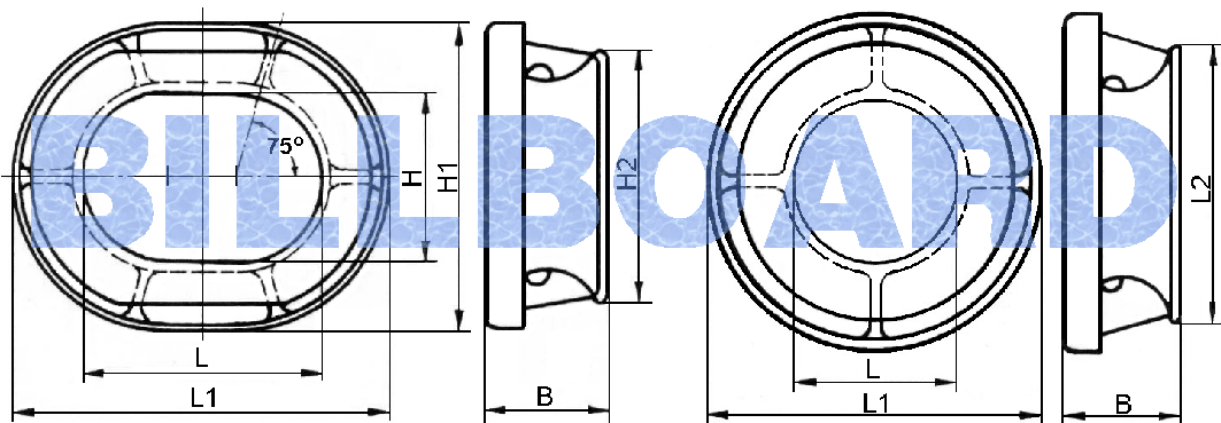
Product Code: AF-2007-A

(JIS F-2007-A)

Nominal Size (mm)	Dimensions (mm)						Mass (kgs)	Dia. of Rope Applied	
	L	L1	H	H1	H2	B		Manila	Wire
150	150	300	110	260	202	129	15	40	16
200	200	368	150	318	250	143	21	45	18
250	250	430	200	380	308	155	27	50	20
300	300	500	250	450	372	169	43	60	22
350	350	560	250	460	378	179	51	70	24
400	400	632	250	482	394	195	77	80	26
450	450	700	250	500	406	209	102	85	30
500	500	760	250	510	412	219	115	90	36

JIS F-2007 Type A

JIS F-2007 Type B



MOORING PIPE – JIS F-2007 TYPE B – CIRCULAR (BULWARK MOUNTED)

Product Code: AF-2007-B

(JIS F-2007-B)

Nominal Size (mm)	Dimensions (mm)				Mass (kgs)	Dia. of Wire Rope Applied
	L	L1	L2	B		
150	150	318	288	144	18	18
200	200	380	346	155	24	20
250	250	450	414	169	38	22
300	300	510	470	179	46	24